

TLC200 Door Unit

The Door Unit 200 supports all standard access reader types:

- HID proximity
- HID iCLASS
- Legic
- Mifare
- EM
- Hitag
- ISO 15693 / ISO 1443A.
- Biometric (fingerprint)

The Master Unit 200 and supporting Door Unit (DU) is capable of interfacing with all standard access control reader systems supporting an RS232, RS485 and Wiegand installation.

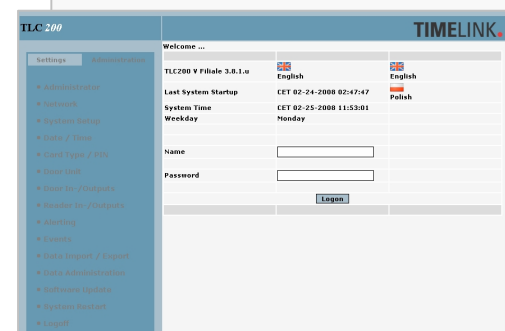
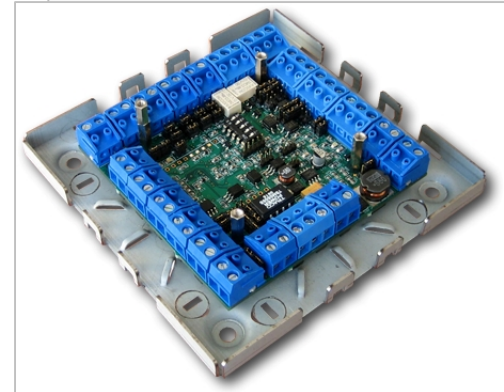
Supporting a modular design with RS485 communication between modules, the Master Unit 200 provides a scalable solution by simply adding additional Door Units.

Up to four Door Units connect to a Master Unit 200 module each supporting two reader connections for a total of eight readers.

The Door Unit 200 was developed around the stable Linux OS and platform independent JAVA programming language.

Features

- 1 door knob contact
- 1 door frame contact
- 1 door opener switch or motion detector (PIR)
- 1 tamper switch
- 2 inputs for handshake signals
- 2 Wiegand inputs
- 2 serial readers RS232/485
- 1 door strike
- 1 Magnetic Lock
- 1 LED (red)
- 1 LED (green)
- 1 audible
- 2 Opto-outputs for handshake signals
- 2 Status-LEDs



Webinterface

TLC200 Door unit Features

Specifications

Readers: Legic (external or internal)
HID Mifare EM Hitag
Biometric (fingerprint)

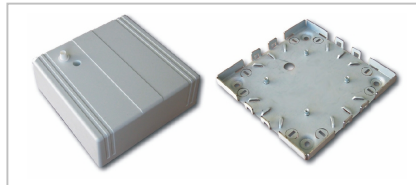
Interface: Reader Data: 1 x RS485 (max 1400m)
2 x RS232 (max 25m)
2 x Wiegand (max. 150m)
Controller: RS485 (max 1400m total
Network from the master unit
to all connected door units)

I/O (configurable):
5 x outputs
2 x relays
2 x reader interface

DC Power: 10 to 28V DC in
2 x 12V DC out to readers

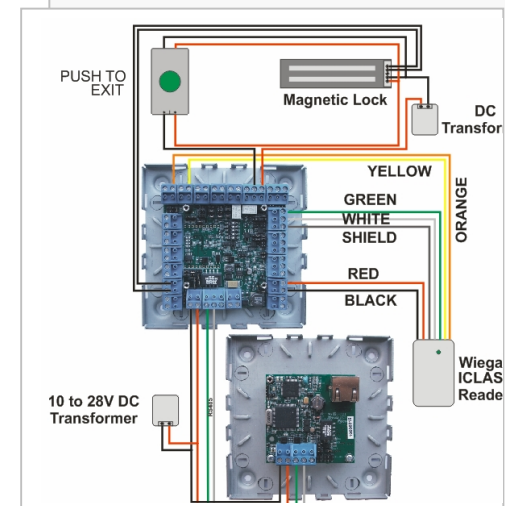
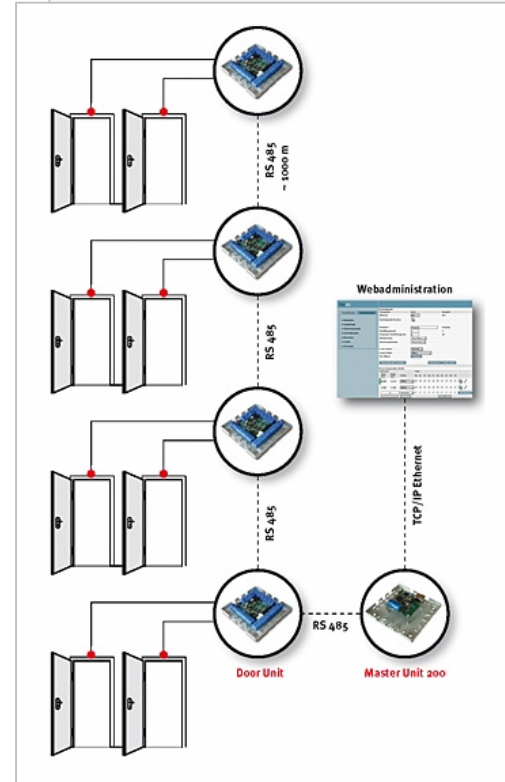
Power: 10 to 28V DC / 120mA
Weight: App. 300 g
Operating Temperature: 14 to 140 F (-10°C to 60°C)
Relative Humidity: 0 to 95%, non-condensing

Dimensions: 4.7 x 4.7 x 1.5 in (120 x 120 x 40 mm)
Housing:



Metal mount plate with plastic snap cover (standard)
Rear and side cover access for cable connections
Mounts in standard third-party locking enclosures

Options: TLC200DU (door unit in housing)
TLC200MDU (door unit in housing with TLC200MM)
TLC200DM (PC-Board of the door unit for use with NEXTOR Universal Power standby)



TIMELINK International GmbH Mollenbachstr. 19, D-71229 ESSEN, Germany
 Tel: +49 (0) 7141 90 40 40 Fax: +49 (0) 7141 90 40 41
 Email: info@timelink.com www.timelink.com